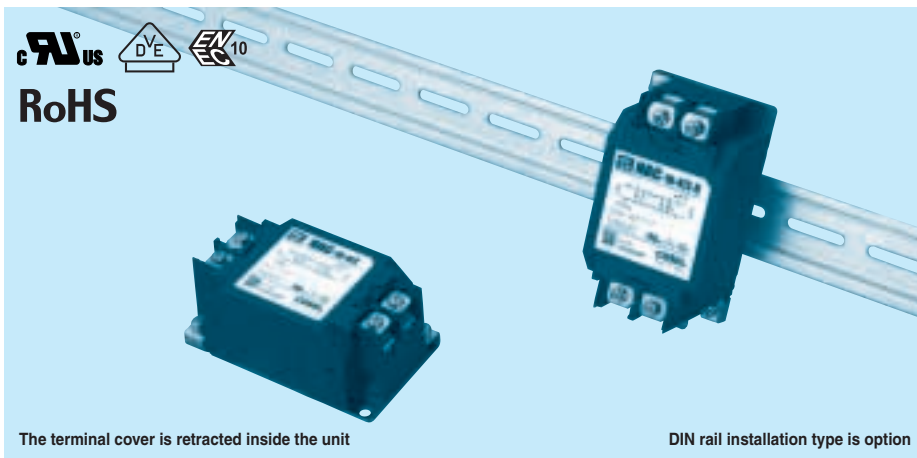


NAC series

NAC -10 -472 -□

① ② ③ ④



The terminal cover is retracted inside the unit

DIN rail installation type is option

- ① Model Name
- ② Rated Current
- ③ Line to ground capacitor code: See table 1.1.

table 1.1 Line to ground capacitor code

Code	Leakage Current (Input 125/250V 60Hz)	Line to ground capacitor (nominal value)
681	75.5 μ A / 150 μ A max	680pF
102	0.13mA / 0.25mA max	1000pF
222	0.25mA / 0.5 mA max	2200pF
332	0.38mA / 0.75mA max	3300pF
472	0.5 mA / 1.0 mA max	4700pF

*1 When the line to ground capacitor code is different, the attenuation characteristic is different.

- ④ Options
- D: DIN rail installation type

* The dimensions change when the option is set. Refer to External view.

Features of NAC series

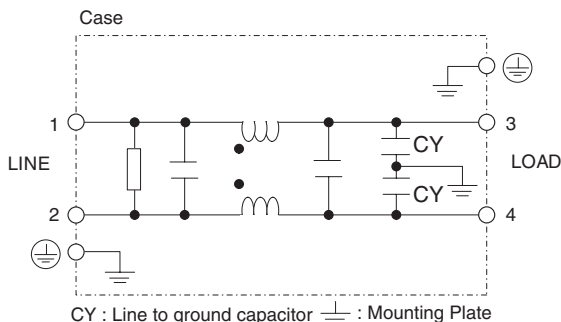
High-attenuation type of common mode noise from 150kHz to 1MHz

- Single Phase 250 VAC
- Quick and easy push-down terminal
Just connect the wires, push down and tighten the screws with a screwdriver

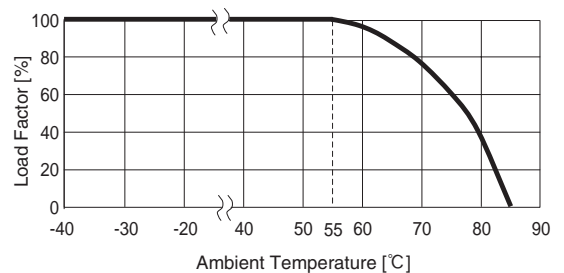
Specifications

No.	Items	NAC-04-472	NAC-06-472	NAC-10-472	NAC-16-472	NAC-20-472	NAC-30-472
1	Rated Voltage[V]	AC 1 ϕ 250 / DC250					
2	Rated Current[A]	4	6	10	16	20	30
3	Test Voltage (Terminal-Mounting Plate)	2,500 VAC (Cutoff Current = 20mA), 1minute at room temperature and humidity					
4	Isolation Resistance (Terminal-Mounting Plate)	500 VDC 100M Ω min at room temperature and humidity					
5	Leakage current 125/250V 60Hz	0.5mA/1.0mA max					
6	Voltage drop	1.0V max					
7	Safety agency approval temperatures	-25 to +85 $^{\circ}$ C (Refer to Derating Curve)					
8	Operating temperature	-40 to +85 $^{\circ}$ C (Refer to Derating Curve)					
9	Operating humidity	20 to 95%RH (Non condensing)					
10	Storage temperature/humidity	-40 to +85 $^{\circ}$ C/20 to 95%RH (Non condensing)					
11	Vibration	10 to 55Hz, 19.6m/s 2 (2G), 3min. Period, 1hour each X, Y and Z axis					
12	Impact	196.1m/s 2 (20G), 11ms Once each X, Y and Z axis					
13	Safety agency approvals	UL1283, CSA C22.2 No.8 (C-UL), DIN EN60939 VDE0565 Teil3-1, ENEC (At only AC input)					
14	Case size (without projection) /Mass	53 X 41 X 92 mm (W X H X D) /300g max (Option : -D refer to external view)					

Circuit Diagram



Derating Curve

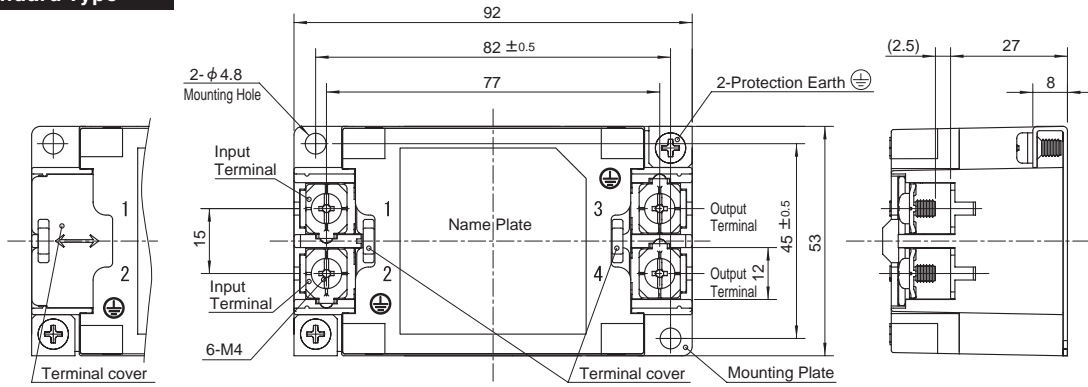


External view

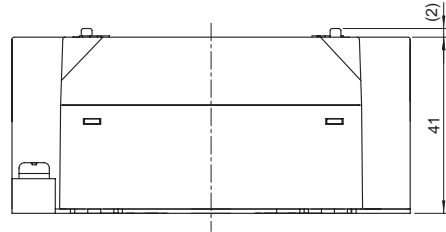
This product is shipped in the following condition, because it is equipped with push-down terminals.

- ①The terminal cover is retracted inside the unit.
- ②The screws for connecting the terminals are held in the up right position.

Standard Type

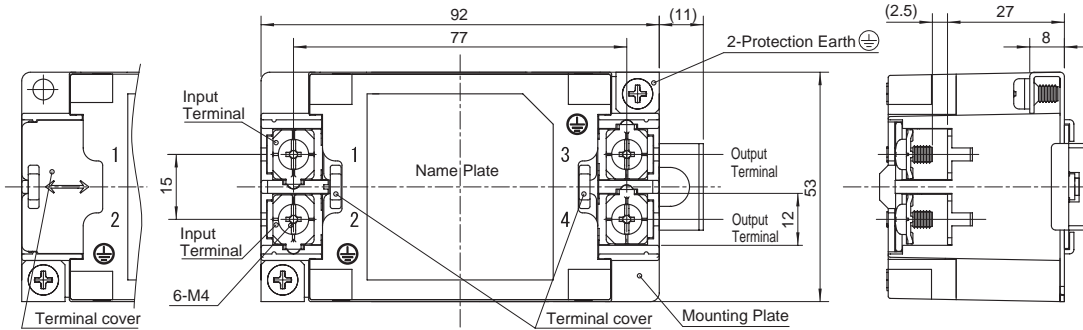


※ Closed the terminal cover

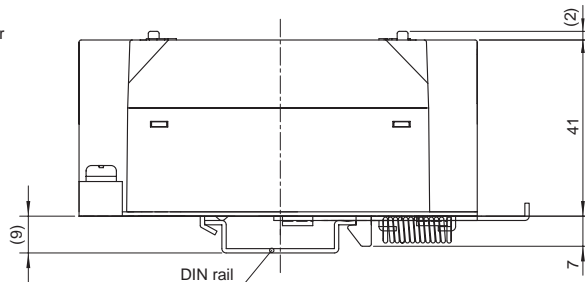


- ※ Tolerance : ± 1
- ※ Mass : 300g or less
- ※ Mounting Plate : Iron (surface finishing:nickel plating) $t=1.0$
- ※ Case : PBT
- ※ Dimensions in mm
- ※ Terminal block screw tightening torque M4:1.6N · m (16.9kgf · cm) max

DIN rail installation Type



※ Closed the terminal cover



- ※ Tolerance : ± 1
- ※ Mass : 300g or less
- ※ Mounting Plate : Iron (surface finishing:nickel plating) $t=1.0$
- ※ Case : PBT
- ※ Dimensions in mm
- ※ Terminal block screw tightening torque M4:1.6N · m (16.9kgf · cm) max

■Note when installing the noise filter on a DIN rail.

When the noise filter is grounded through the DIN rail, the proper noise attenuation may not be achieved.

Be sure to connect the protection earth (PE) of the noise filter body to the earth.

